

LOAD CELL CHARACTERISTICS

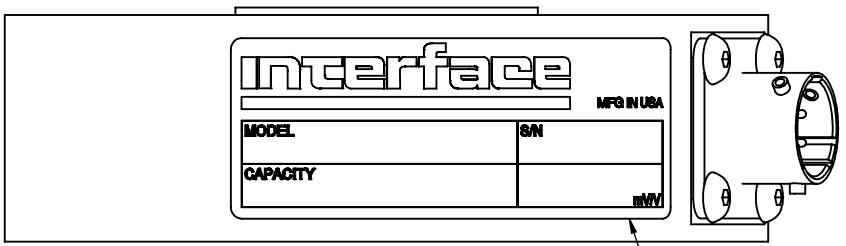
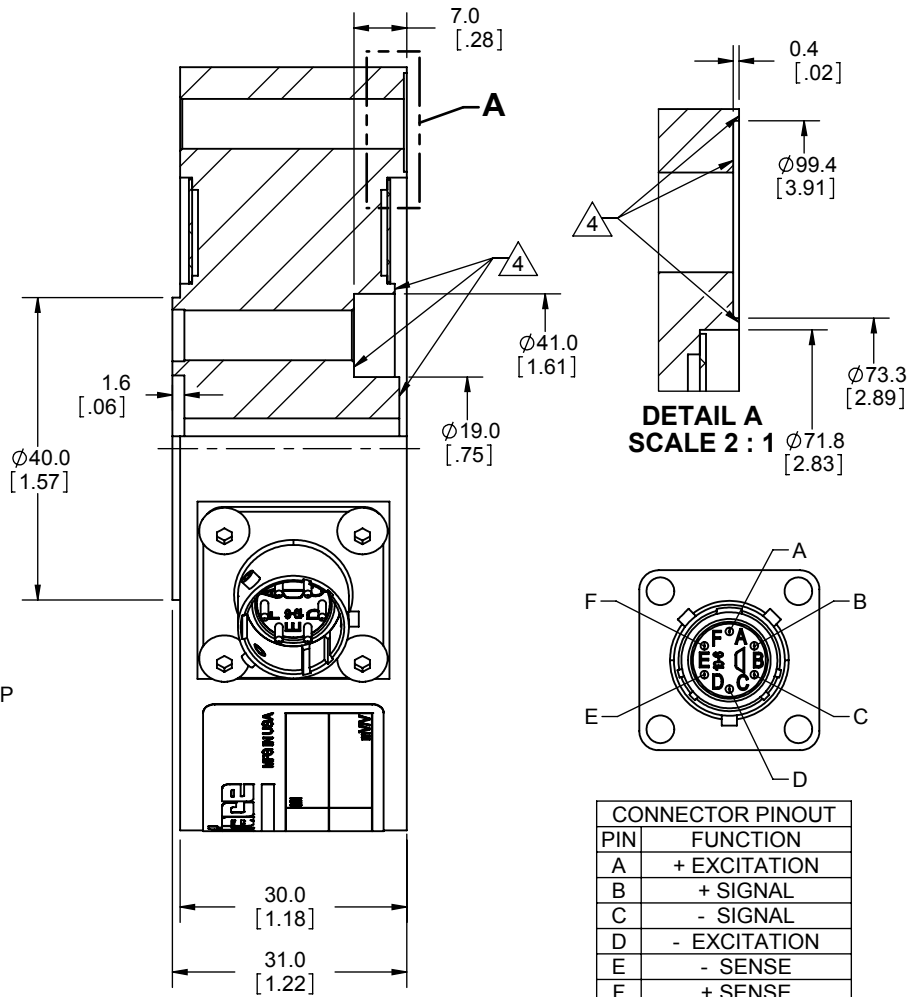
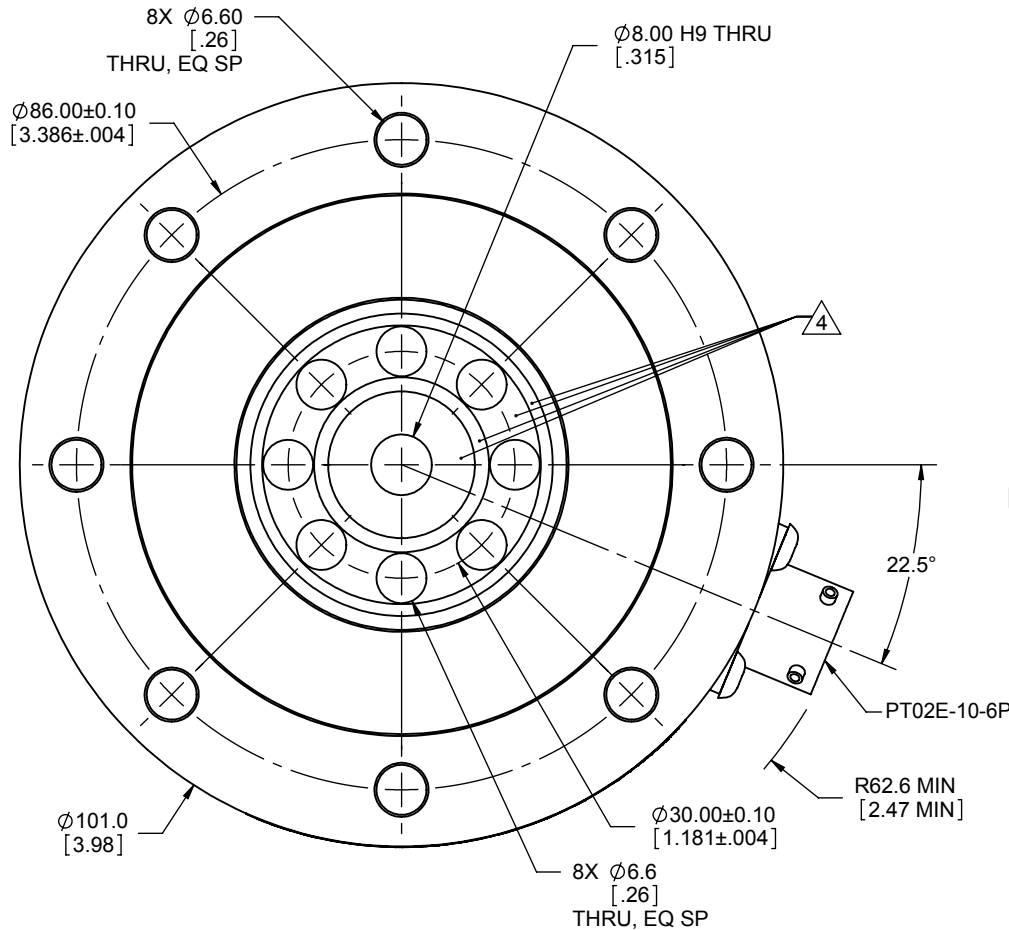
#	CAPACITY	US CAPACITIES 11K, 14K (lbf)	SI CAPACITIES 50, 63 (kN)
---	----------	---------------------------------	------------------------------

Interface Inc. claims proprietary rights in the information disclosed herein. This drawing is furnished in confidence on the express understanding that neither it nor any reproduction thereof will be disclosed to others or used for the purpose of manufacture or procurement of the article or part shown herein without written permission of Interface Inc. The drawing shall remain the property of Interface Inc. and shall be returned upon request by Interface Inc.

80567

REVISIONS

REV.	DESCRIPTION	DATE	APPROVED
C	Ø99.4 WAS 95.1, Ø73.3 WAS 79.4	09/04/13	Me
D	ADDED CAPACITY TABLE, NOTES 3 & 4	11/13/2018	ALBERT L.



- 4. DO NOT PAINT.
- 3. PAINT INTERFACE BLUE.
- 2. DIMENSIONAL TOLERANCES: ±0.3 [0.01].
- 1. DIMENSIONS IN mm [INCH].

IDENTIFICATION LABEL INCLUDING: MODEL, CAPACITY, SERIAL NUMBER & OUTPUT

UNLESS OTHERWISE SPECIFIED DIMENSIONS ARE IN INCHES [mm]
TOLERANCES ARE:
ANGLES ±0° 30'
.XX ±.01 [0.25]
.XXX ±.005 [0.13]

CREATOR	DATE
DESIGNED: JOE G.	09/06/05
DETAILED: JEP	09/06/05
WEIGHT: (APPROX) 3.49 (lbs)	

Interface 7418 E. HELM DRIVE
FORCE MEASUREMENT SOLUTIONS, SCOTTSDALE, AZ 85260 USA

TITLE:
**OUTLINE MODEL: 1730
W/ PT02E-10-6P CONN**

SIZE: A	DWG. NO: 80567	REV: D
SCALE: 1:1	SHEET 1 OF 1	