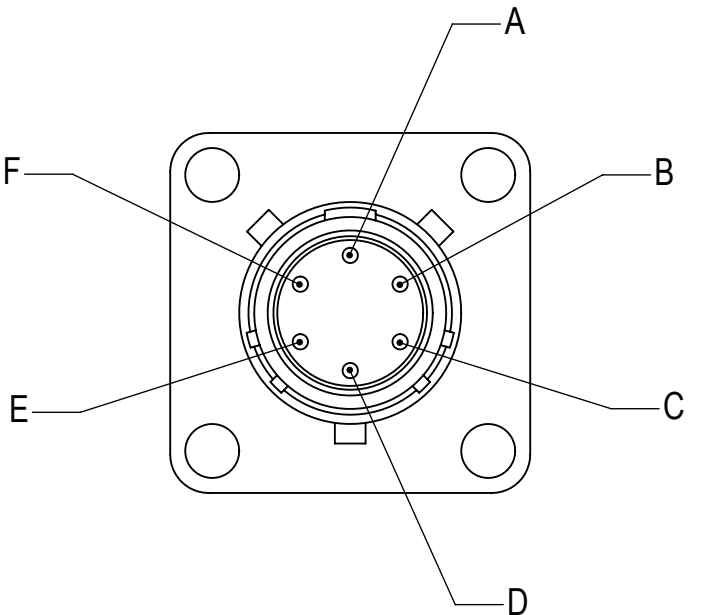
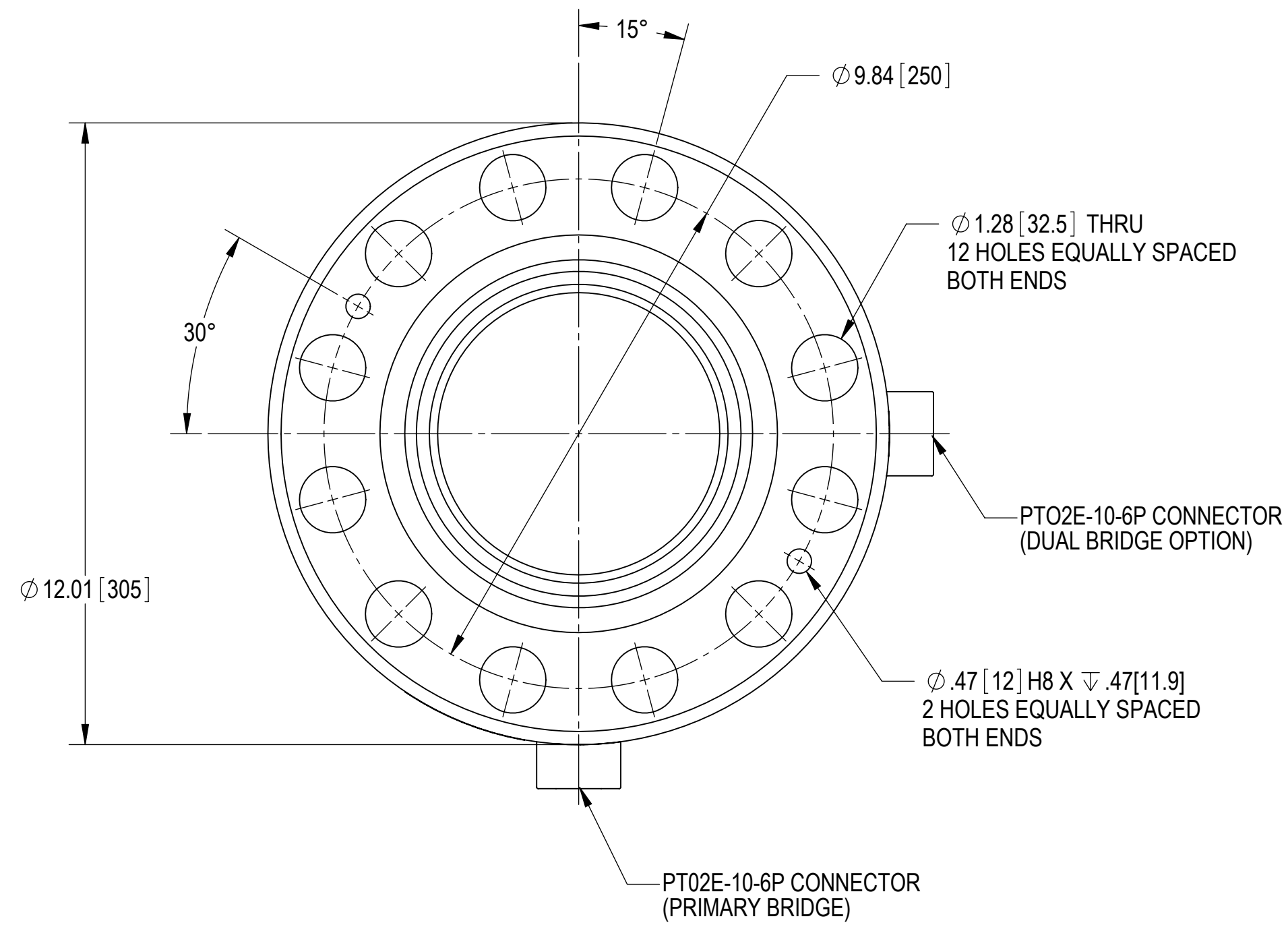


Interface Inc. claims proprietary rights in the information disclosed hereon. This drawing is furnished in confidence on the express understanding that neither it nor any reproduction thereof will be disclosed to others or used for the purpose of manufacture or procurement of the artical or part shown hereon without written permission of Interface Inc. The drawing shall remain the property of Interface Inc. and shall be returned upon request by Interface Inc.

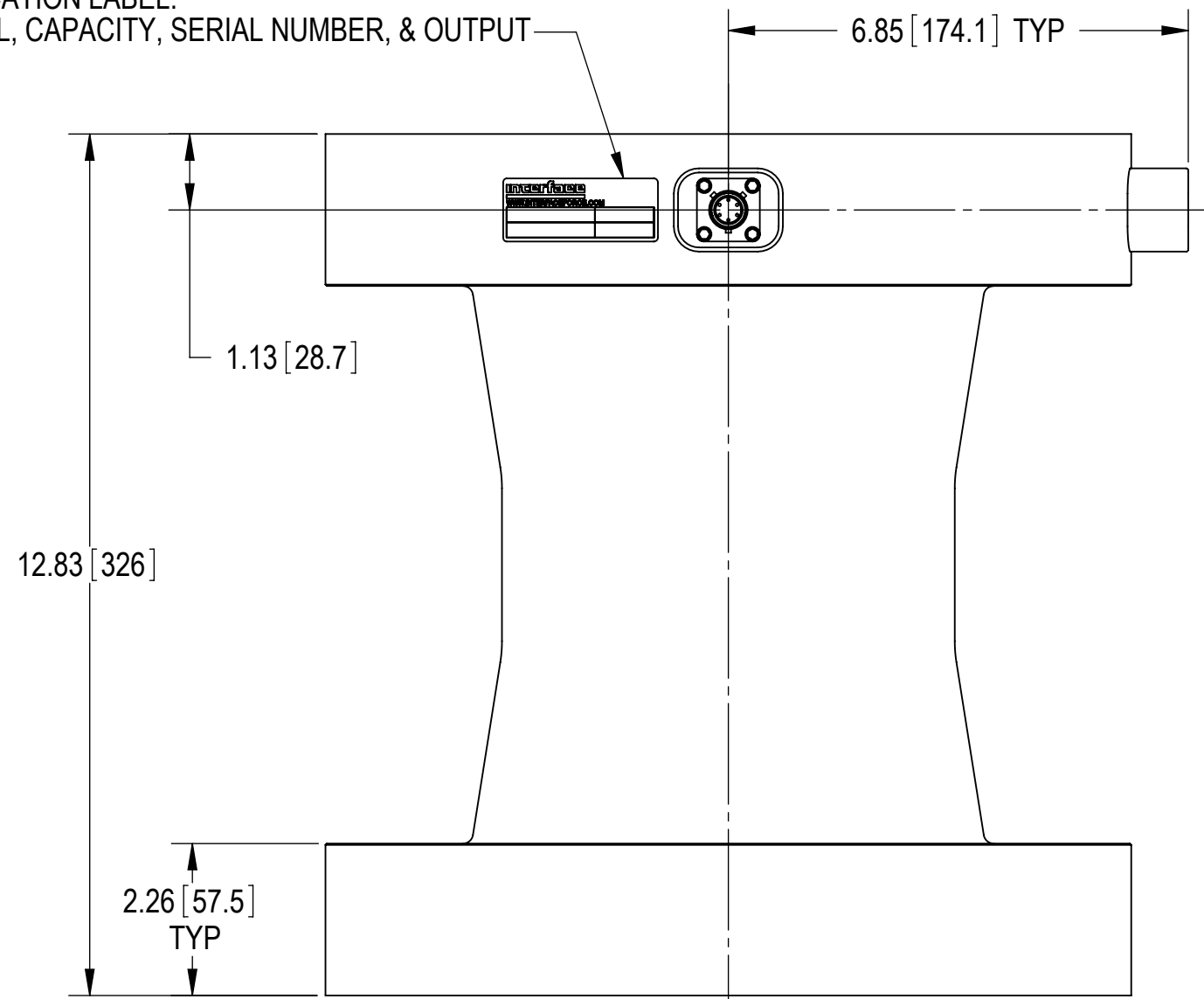
REVISIONS			
REV	DESCRIPTION	DATE	APPROVED
A	INITIAL RELEASE	02/07/11	
B	ADDED "W/TEDS" COLUMN TO CONNECTOR PINOUT TABLE	07/17/15	LCG



CONNECTOR PINOUT		W/ TEDS
PIN	FUNCTION	FUNCTION
A	+ EXCITATION	+ EXCITATION
B	+ OUTPUT	+ OUTPUT
C	- OUTPUT	- OUTPUT
D	- EXCITATION	- EXCITATION
E	- SENSE	TEDS DATA
F	+ SENSE	TEDS GND

TENSION UPSCALE

LOGO & IDENTIFICATION LABEL:
INCLUDING MODEL, CAPACITY, SERIAL NUMBER, & OUTPUT



- 3. FLEXURE MATERIAL: STEEL
- 2. DIMENSIONAL TOLERANCE: ±0.01[0.3]
- 1. ALL DIMENSIONS ARE IN INCHES & [mm] UNLESS OTHERWISE SPECIFIED

ALL DIMENSIONS ARE FOR REFERENCE ONLY AND SUBJECT TO CHANGE. CONTACT ENGINEERING DEPARTMENT TO CONFIRM VALIDITY.		interface ADVANCED FORCE MEASUREMENT	
DESIGNED: CREATOR	DATE	TITLE:	
JOE G.	12/29/10	OUTLINE, MODEL 2350-2000kN	
DETAILED: CREATOR	DATE	SIZE: DWG. NO:	REV
J.A.S.	12/29/10	C 81039	B
CAM DATA:		SCALE: 1:2.5	SHEET 1 OF 1